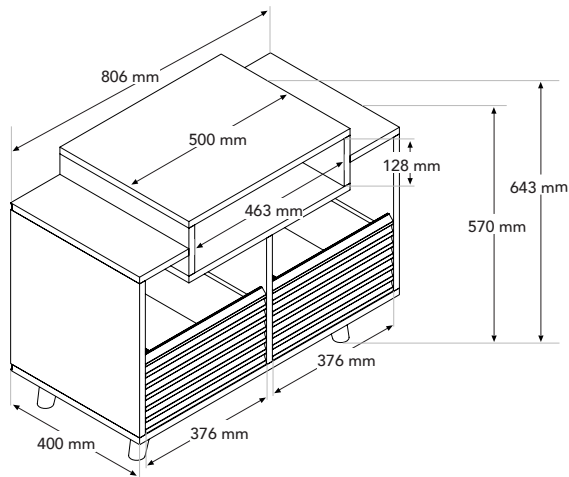


OSLO 800

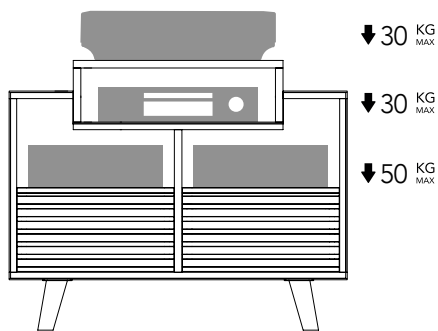
Vinyl furniture



DIMENSIONS



MAXIMUM LOAD



PRODUCT CODES

Finish : Black Satin / Walnut
EAN : 3700795181133
SKU : NOROSVI80ABSWN

Finish : White / Clear Oak
EAN : 3700795181140
SKU : NOROSVI80AWTOK

DESCRIPTION

The perfect vinyl cabinet for modern music lovers.

With its sleek, elegant design, the Oslo 800 from Norstone is designed for vinyl lovers looking for an aesthetic and practical solution. Compact and refined, this 80 cm piece of furniture fits perfectly into contemporary interiors while offering an optimised storage solution for your music collection.

Available in two timeless finishes - White / Clear Oak and Black Satin / Walnut - the Oslo 800 has two spacious drawers, each capable of storing up to 80 vinyl records. Thanks to its innovative grip system, your records are held securely, with no risk of slipping.

The Oslo 800 has a dedicated 46 cm space under the turntable, ideal for placing your amp or other audio equipment. The top surface is designed to accommodate a vinyl turntable, making this all-in-one piece of furniture the perfect complement.





DESIGN

Finishes : *Black satin / Walnut
White / Clear Oak*

Structure : *Melamine*

MAXIMUM LOAD

Top shelf : *30 kg*

Per drawer : *50 kg*

USEFUL DIMENSIONS

External dimensions (W x H x D) : *806 x 643 x 400 mm*

Shelves (W x H x D) : *463 x 128 x 400 mm*

Per drawer (W x D) : *376 x 370 mm*

PACKAGING

Delivered disassembled with screws kit , mounting instructions and tools

Quantity / box : *1*

Type : *Brown cardboard*

Dimensions (W x H x D) : *920 x 200 x 570 mm*

Gross weight : *35 kg*

Net weight : *32,5 kg*

ALSO AVAILABLE



OSLO
1200